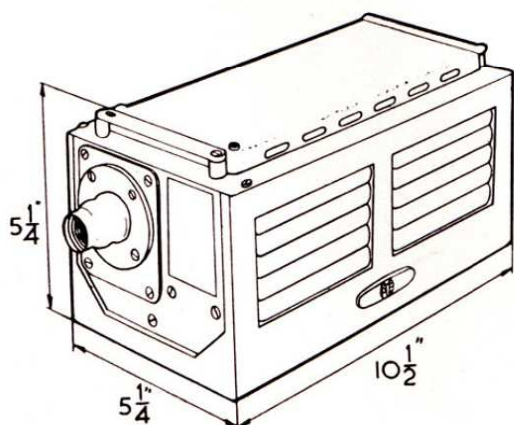


## ***Pye Industrial Television Camera Type 2026***

***employing the  
Staticon pick-up tube. Type C932***



**The complete camera assembly  
weighs only 8½ lb (3.85 kg).**

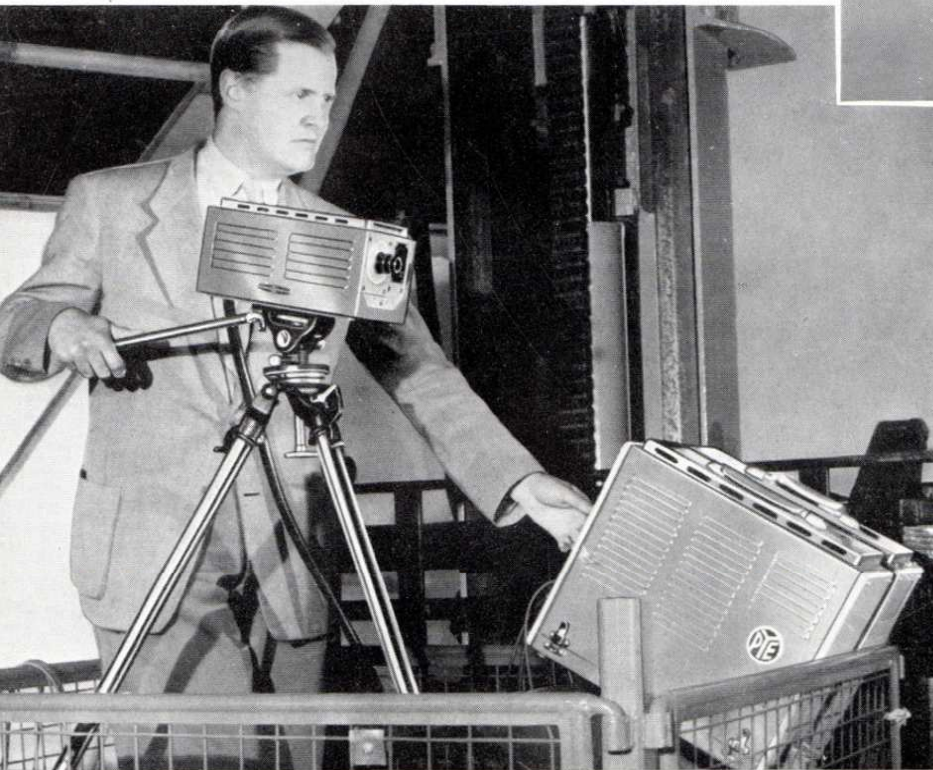


*Examples of  
Industrial Television Equipment  
manufactured by*

**PYE LIMITED  
CAMBRIDGE  
ENGLAND**



Camera Control Unit Type 2317, and Monitor Type 2812 employing a 14 inch rectangular picture tube.



**The Cathodeon Station  
Camera pick-up tube is  
used in all Pye television  
aids to industry**

Pye Industrial Television Equipment being set up for the remote observation of an industrial experiment.



Camera Type 2026 with Dual Lens Turret attachment and Dual Lens Turret Control Unit Type 3556.



Camera Control Unit, 5 inch XXXXXXXXXX Monitor Type 2737, and Dual Lens Turret Control Unit.

**OVERSEAS COMPANIES:**

<b>CANADA:</b> Pye Canada Limited Toronto Ontario	<b>NEW ZEALAND:</b> Pye Ltd Auckland C.I.	<b>EIRE:</b> Pye (Ireland) Ltd Dundrum Co. Dublin	<b>SOUTH AFRICA:</b> Pye Radio & Television Pty Ltd Johannesburg	<b>AUSTRALIA:</b> Television Engineering Pty Ltd Melbourne	<b>U.S.A.:</b> Pye Corporation of America New York	<b>GERMANY:</b> Deutsche Pye Geschäftsstelle Stuttgart-Nord	<b>SOUTH AMERICA:</b> Pye Ltd Tucuman 829 Buenos Aires
--	---	--	---	---	---	--	---