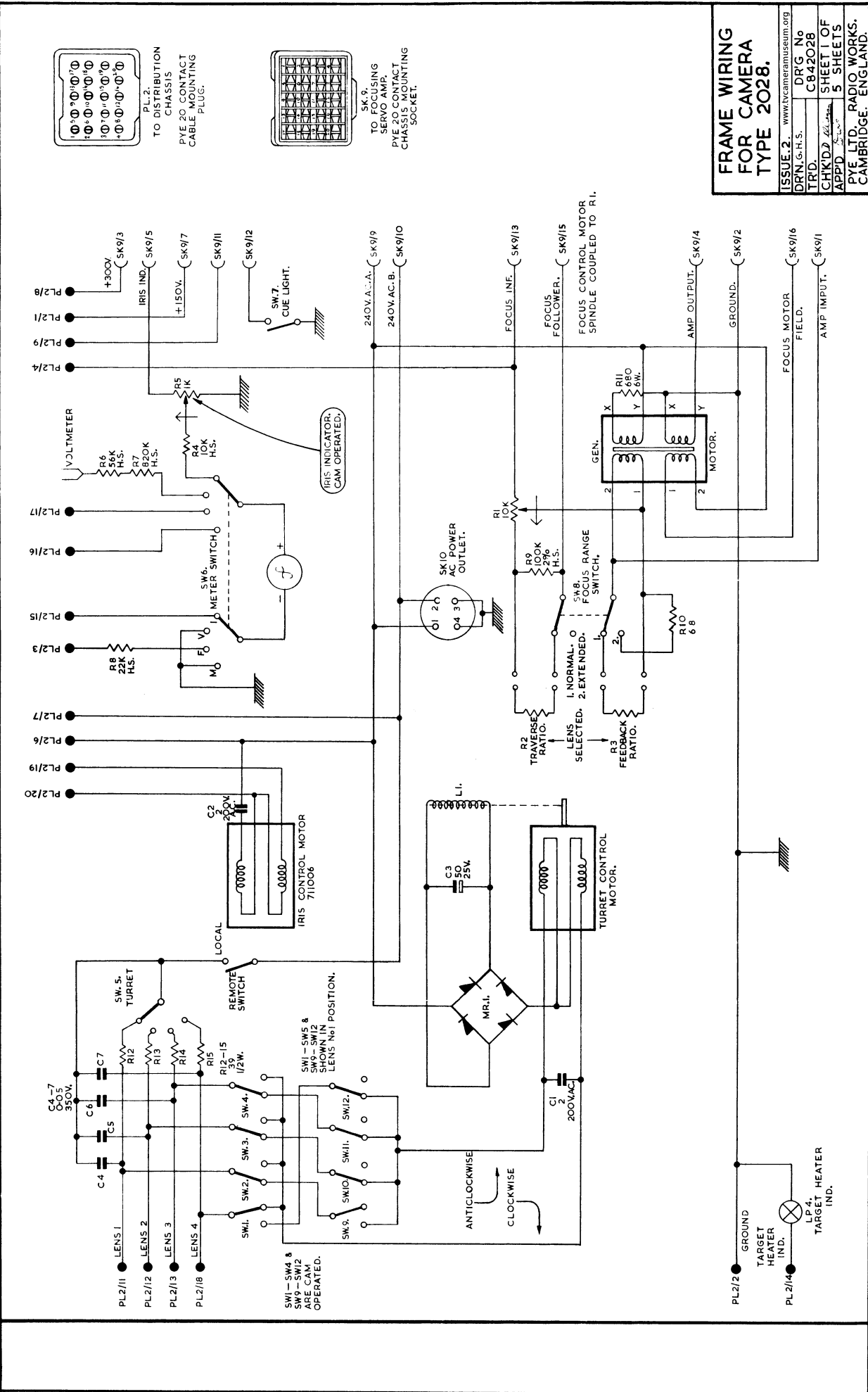
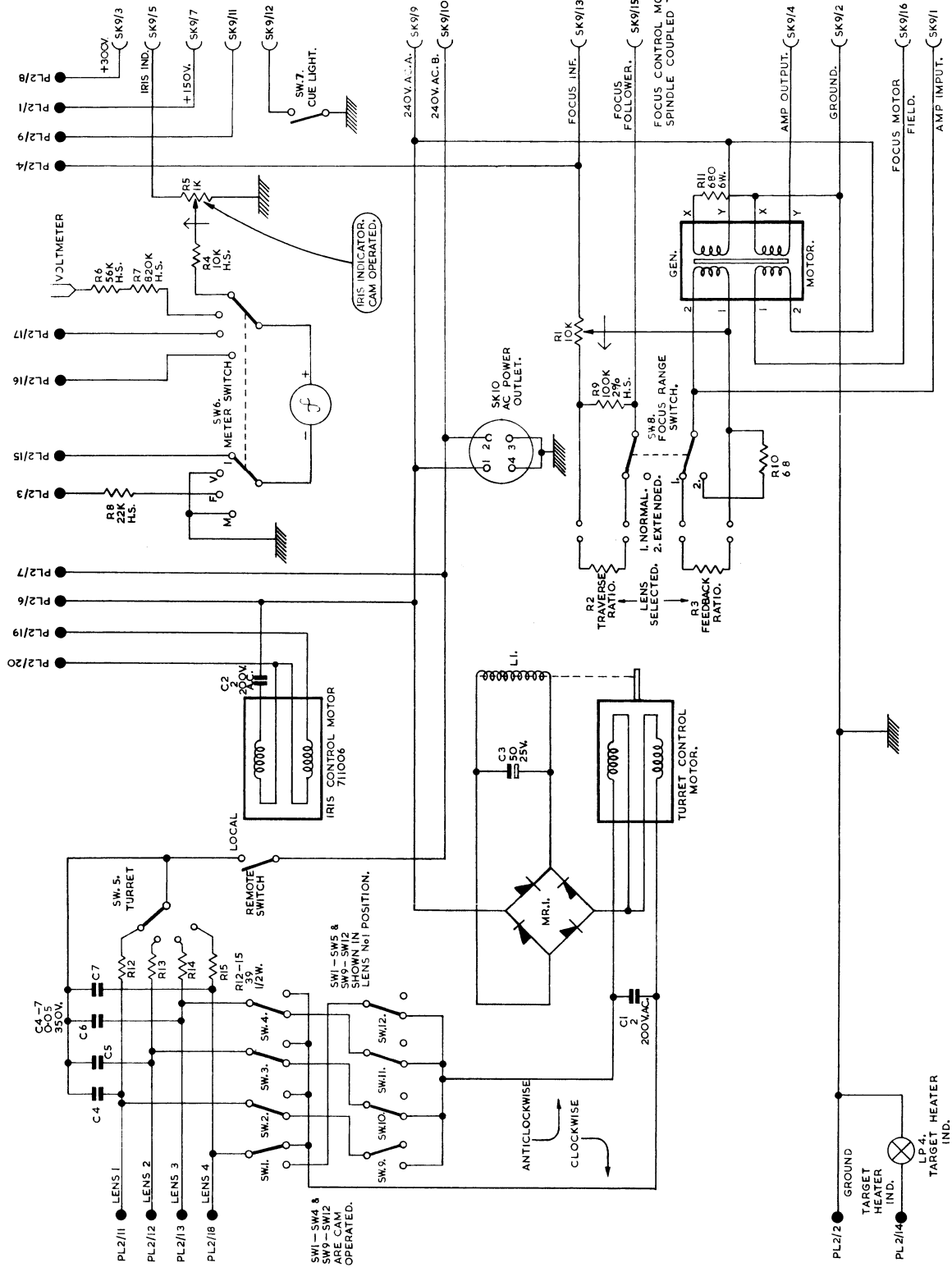
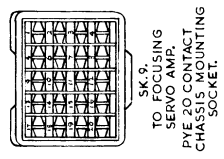
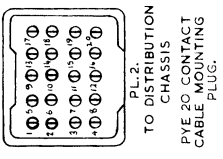


**ISSUES.**  
 I. 2/1/54.  
 LP.3. DELETED.  
 2/1/827 14/6/55  
*D.S.*



**FRAME WIRING  
 FOR CAMERA  
 TYPE 2028.**

ISSUE: 2. www.bcamerainstitutum.org  
 DRN.G.H.S. DRG No C842028  
 TRD. CHK'D J. 4/1/54. 5 SHEETS OF  
 APP'D. P.Y.E. LTD. RADIO WORKS,  
 CAMBRIDGE, ENGLAND.



IRIS INDICATOR. CAM OPERATED.

SW.1 - SW.4 & SW.9 - SW.12 ARE CAM OPERATED.

ANTICLOCKWISE  
 CLOCKWISE

GROUND  
 TARGET HEATER IND.  
 LP.4  
 TARGET HEATER IND.