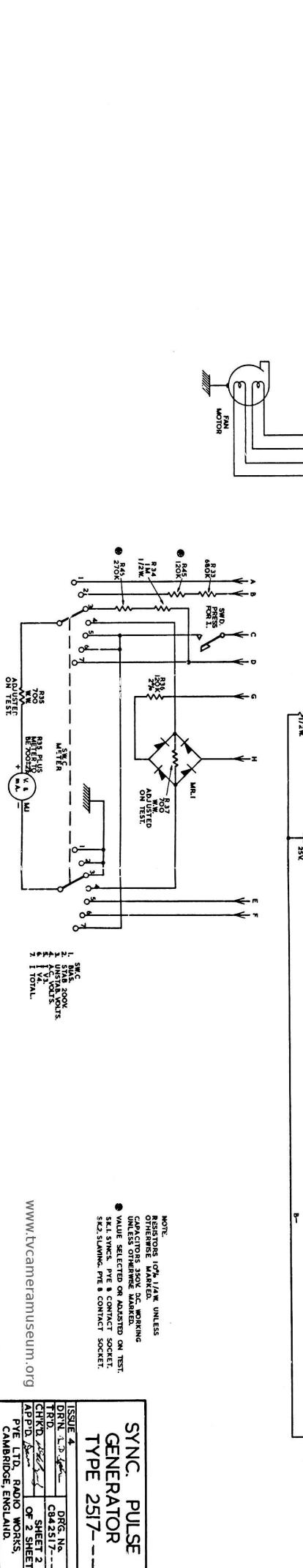
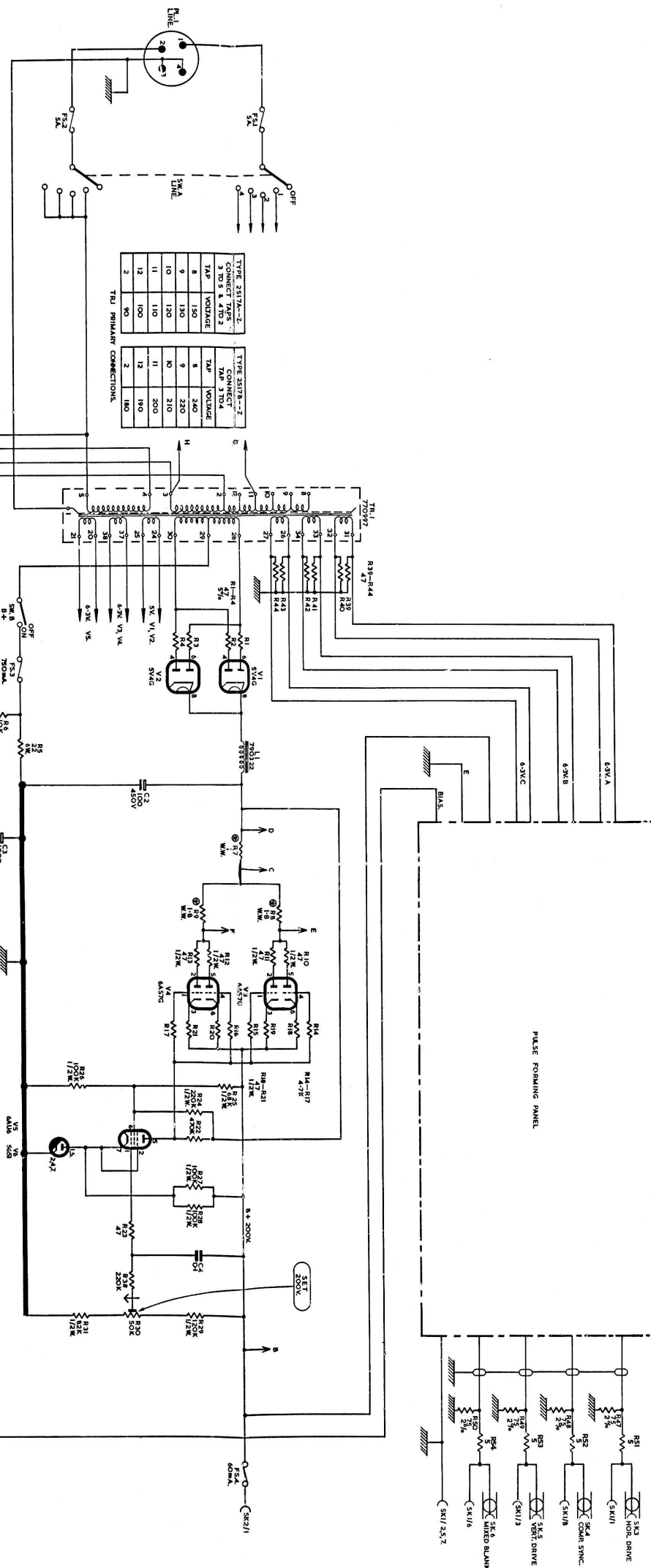


TYPE 2517A-2
TERMINALS



NOTE:
RESISTORS OF 1/2W UNLESS
OTHERWISE MARKED.
CAPACITORS 30V DC WORKING
UNLESS OTHERWISE MARKED.
VALUE SELECTED OR ADJUSTED ON TEST.
5K1 SYNC, PVE & CONTACT SOCKET.
5K2 BLANKING, PVE & CONTACT SOCKET.

www.tvcamerauseum.org

ISSUE 4	DRG. No.	5K1
DRN. 10	TRD.	5K1
TRD.	APPD.	5K1
APPD.	OF 2 SHEETS	5K1
PVE LTD. RADIO WORKS, CAMBRIDGE, ENGLAND.		

SYNC. PULSE
GENERATOR
TYPE 2517A-2