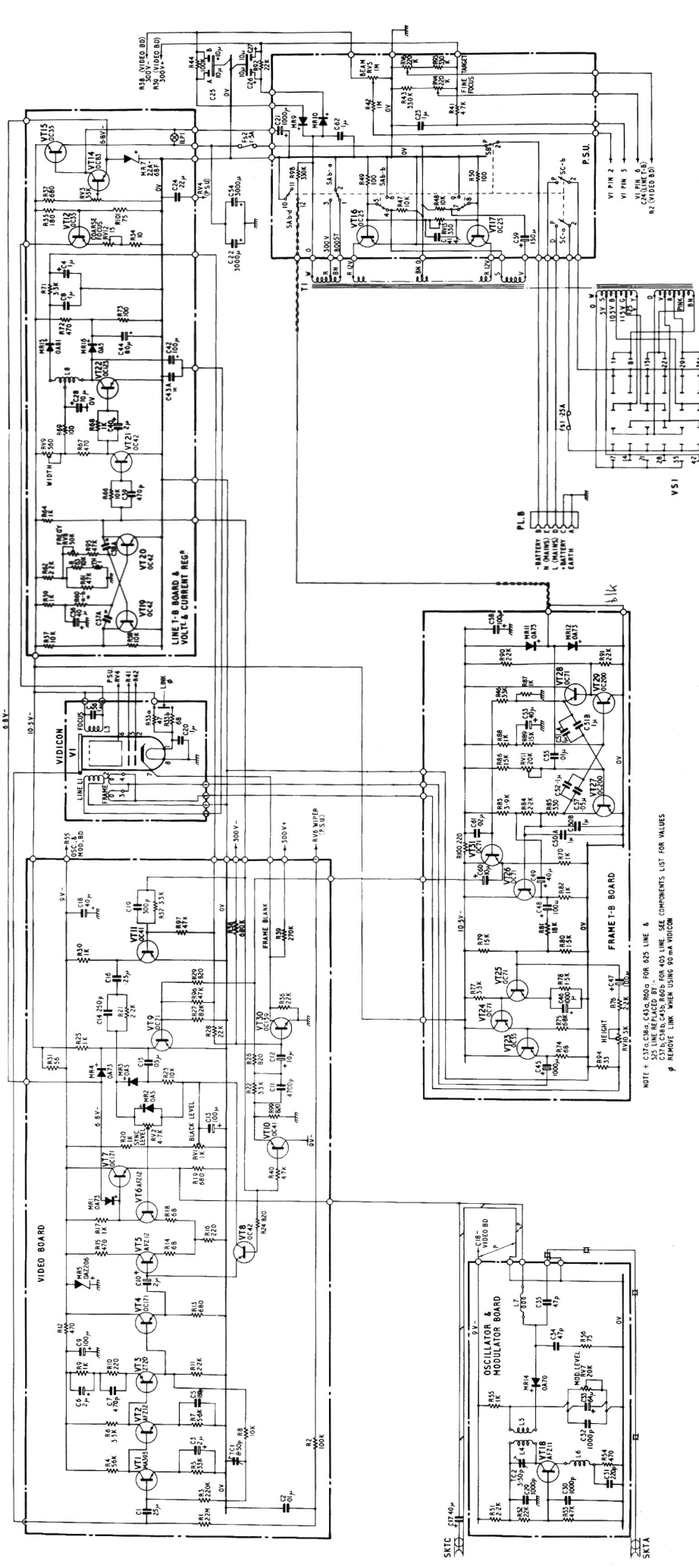


R	R1	R2	R3	R4	R5	R6	R7	R8	R9	R10	R11	R12	R13	R14	R15	R16	R17	R18	R19	R20	R21	R22	R23	R24	R25	R26	R27	R28	R29	R30	R31	R32	R33	R34	R35	R36	R37	R38	R39	R40	R41	R42	R43	R44	R45	R46	R47	R48	R49	R50	R51	R52	R53	R54	R55	R56	R57	R58	R59	R60	R61	R62	R63	R64	R65	R66	R67	R68	R69	R70	R71	R72	R73	R74	R75	R76	R77	R78	R79	R80	R81	R82	R83	R84	R85	R86	R87	R88	R89	R90	R91	R92	R93	R94	R95	R96	R97	R98	R99	R100
C	C1	C2	C3	C4	C5	C6	C7	C8	C9	C10	C11	C12	C13	C14	C15	C16	C17	C18	C19	C20	C21	C22	C23	C24	C25	C26	C27	C28	C29	C30	C31	C32	C33	C34	C35	C36	C37	C38	C39	C40	C41	C42	C43	C44	C45	C46	C47	C48	C49	C50	C51	C52	C53	C54	C55	C56	C57	C58	C59	C60	C61	C62	C63	C64	C65	C66	C67	C68	C69	C70	C71	C72	C73	C74	C75	C76	C77	C78	C79	C80	C81	C82	C83	C84	C85	C86	C87	C88	C89	C90	C91	C92	C93	C94	C95	C96	C97	C98	C99	C100
MISC.	L1	L2	L3	L4	L5	L6	L7	L8	L9	L10	L11	L12	L13	L14	L15	L16	L17	L18	L19	L20	L21	L22	L23	L24	L25	L26	L27	L28	L29	L30	L31	L32	L33	L34	L35	L36	L37	L38	L39	L40	L41	L42	L43	L44	L45	L46	L47	L48	L49	L50	L51	L52	L53	L54	L55	L56	L57	L58	L59	L60	L61	L62	L63	L64	L65	L66	L67	L68	L69	L70	L71	L72	L73	L74	L75	L76	L77	L78	L79	L80	L81	L82	L83	L84	L85	L86	L87	L88	L89	L90	L91	L92	L93	L94	L95	L96	L97	L98	L99	L100



NOTE: C37, C84, C49, R60, R61, R62, R63, R64, R65, R66, R67, R68, R69, R70, R71, R72, R73, R74, R75, R76, R77, R78, R79, R80, R81, R82, R83, R84, R85, R86, R87, R88, R89, R90, R91, R92, R93, R94, R95, R96, R97, R98, R99, R100. SEE COMPONENTS LIST FOR VALUES.
 * REMOVE LINK WHEN USING 20" WIDE VIDEOCAM.

www.tvcameramuseum.org

FIG.2

CIRCUIT DIAGRAM